

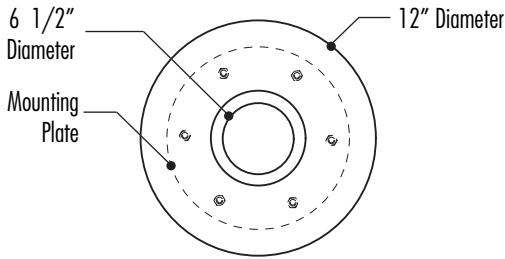
A Fusion of the Art and Science of Light

LITE TOWER PRODUCT DETAILS:

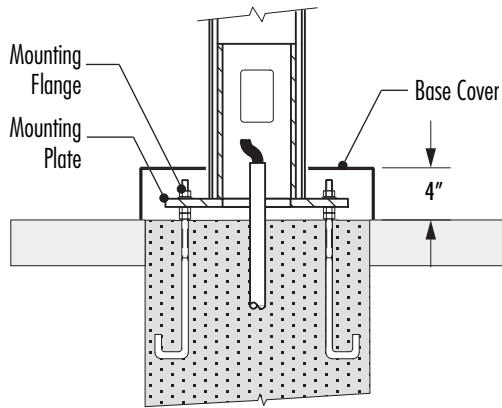
date: November 2, 2008

sheet description: Elevation and base details

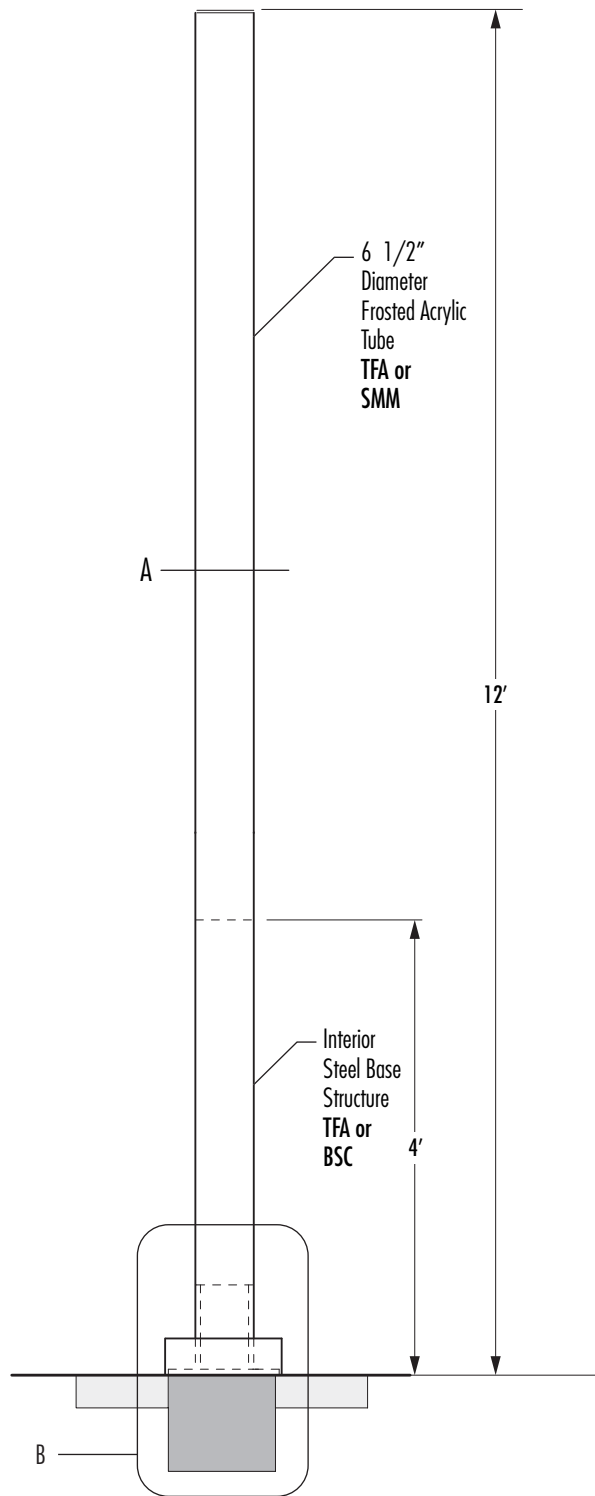
file: LTdetails.pdf



A
Section



B
Base Mounting



DETAILS

LITE TOWERS



Project Name _____ **Date** _____ **Qty** _____
SPECIFICATION CODE: Note: For a variation (custom) of this product contact ACL to request a variation number and information.

Product	Lamp Qty	Environment	Color Code	Upper Material	Base Material	Primary	Dim-able
Lite Tower	1L - (1 lamp)	DR - Dry	#1L + Code	TFA	TFA	S 01 - 120V 3A	DI - Dim
LT 01-standard	2L - (2 lamps)	DP - Damp	#2L + Code	SMM	BSC	S 02 - 120V 6A	ND - Non Dim
LT 02-with options (2)	3L - (3 lamps)	WT - Wet	#3L + Code (1)	(2)	(2)	S 03 - 120V 8A 277V (3)	

(1) For multiple selections of lamp colors, reference the lamp number followed by the color code. See web site Color Chart.
 (2) Standard: TFA-Translucent Frosted Acrylic DR on Upper and Base Materials. Non Standard: SMM -Stainless Mini Mesh and BSC -Brushed Stainless Clad.
 (3) Special order available in 277V, contact ACL for more information.